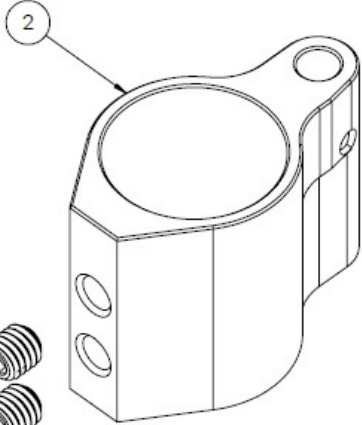
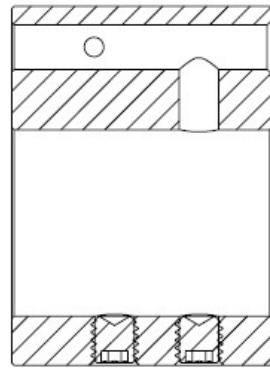
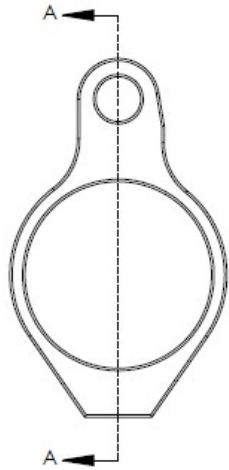
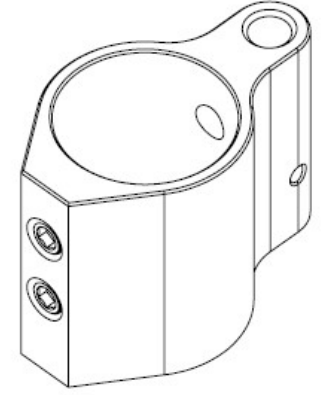
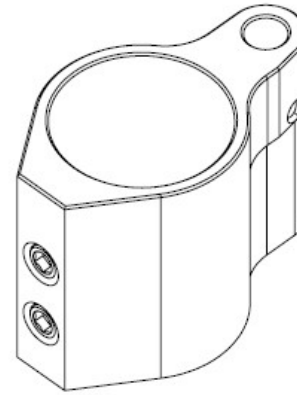


Gas block



#10-32 x 3/16", alloy  
steel cup-point set  
screw



SECTION A-A  
Gas Open

## WMD GUNS

**.750" NON-ADJUSTABLE  
SET SCREW GAS BLOCK**